



**ALARM SAF**

## CD4 POWER DISTRIBUTION ACCESSORY



**CD4-NPL-B01-UL/CSA/ULC**  
**CD4-PLS-B01-UL/CSA/ULC**  
**Board Level Available**



The CD4 line of products provides add-on power distribution for a UL Listed power source. Four (4) protected output zones are available to power accessory equipment with remote ON/OFF (F1,F2) capability. A unique feature: the ability to control the output power zones from an A/V Fire Notification Loop (FAI) - rather than an auxiliary relay from the fire panel.

### DIMENSIONS

#### Cabinet Size (B01)

- B01
  - 8" H x 7" W x 3.5" D
  - 20.3cm x 17.8cm x 8.9cm

#### Cabinet Material

- 20 Gauge Painted Steel

#### Board Size

- 3.6" L x 5.4" W x 1.1" H
- 9.1cm x 13.7cm x 2.8cm

### SPECIFICATIONS

#### Input Characteristics

- Input Voltage: 12 or 24 VDC (Switch Selectable)
- Input Current: 4 Amperes Max.
- Fire Alarm Interface Circuit (FAI)
  - 9 - 40 VDC @ 15mA

#### Output Characteristics

- Zone Outputs: 12 or 24 VDC @ 1 Amp
  - CD4-PLS Outputs are power limited
- F1,F2 Interface: 1.5 mA with 10K EOL
  - Activate with open or closed contacts
- Trouble Output
  - Form 'C' relay contact
  - 1A @ 24VAC,DC Resistive

- "REM CON" Output
  - Form C contact transfer on F1,F2 or FAI activation.

#### Fault Conditions Reported

- Loss of Input Power
- Blown/Missing input fuse or circuit breaker
- Blown/Missing zone fuse or activated PTC

#### LED Visual Indicators

- Grn Power LED: Indicates primary power presence
- Red Alarm LED: Indicates Fire Alarm Interface activation
- Yel Fault LED (4): Indicates individual zone output loss

#### Temperature Range

- 32° to 120°F
- 0° to 50°C

### LISTINGS

#### UL294

- Access Control System Units. (ALVY)

#### UL864

- Control Units for Fire Protective Signaling Systems. (UOXX)

#### ULC-S527

- Standard for Control Units for Fire Alarm Systems.

#### ULC-C603

- Guide for Power Supplies for use with Burglar Alarm Systems.

#### CSA C22.2 No. 107.1

- Commercial and Industrial Power Supplies

### APPLICATIONS

#### Egress Door Fire Release

Used to control maglocks placed on premise egress doors. Immediate Emergency Exit.

#### Smoke Detector Reset

For resetting four wire smoke or duct detectors when powered from a panel auxiliary output.

#### Door Holder Controller

Powers corridor door holders by zone, allowing simultaneous or partial control. A CD4-PLS allows the use of low voltage, power limited cable.

#### Power Limiting Converter

Allows power limited, low voltage wiring techniques to be used when the original power source is not power limited.

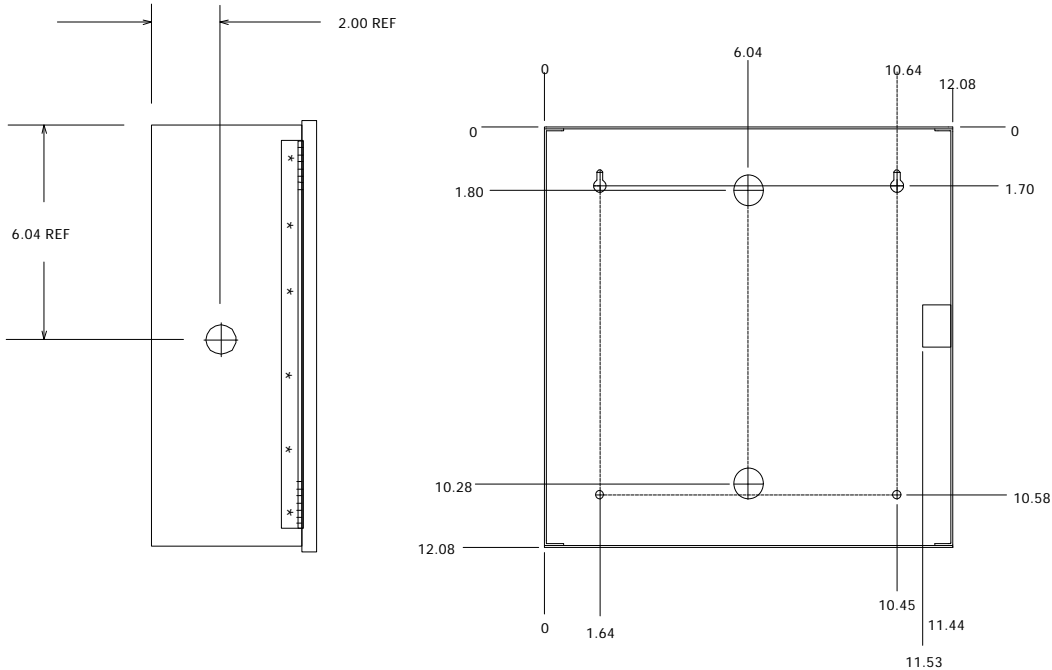
#### Power Distribution Mechanism

Allows for wiring in a "zoned" fashion with each zone individually protected from other zone problems; adds system reliability

# MECHANICAL

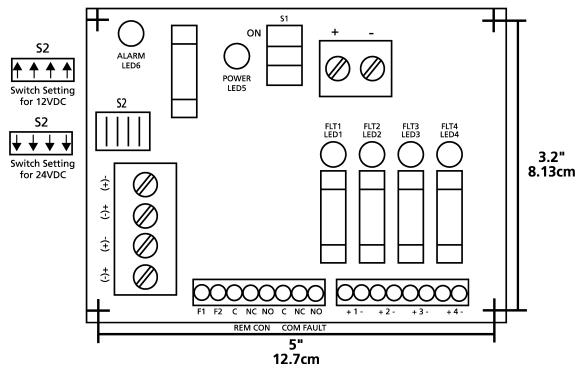
## B01 Cabinet

- 8" H x 7" W x 3.5" D, 20.3cm x 17.8cm x 8.9cm



## Printed Wiring Board

- 3.6" L x 5.4" W x 1.1" H, 9.1cm x 13.7cm x 2.8cm
- Four mounting holes
  - .2", 0.5cm from each edge
  - Hole diameter: 0.156", 0.4cm (#6 screw)



# ORDER INFORMATION

Order #	Model Number	Max Input Power	# of Zones	Zone Output Current	Zone Protection	Cabinet
02501	CD4-NPL-B01-UL/CSA/ULC	30 VDC @ 4A	4	1A	2A Fuse	B01
02502	CD4-NPL-UL/CSA/ULC-BD	30 VDC @ 4A	4	1A	2A Fuse	
02503	CD4-PLS-B01-UL/CSA/ULC	30 VDC @ 4A	4	1A Power Limited	PTC	B01
02504	CD4-PLS-UL/CSA/ULC-BD	30 VDC @ 4A	4	1A Power Limited	PTC	