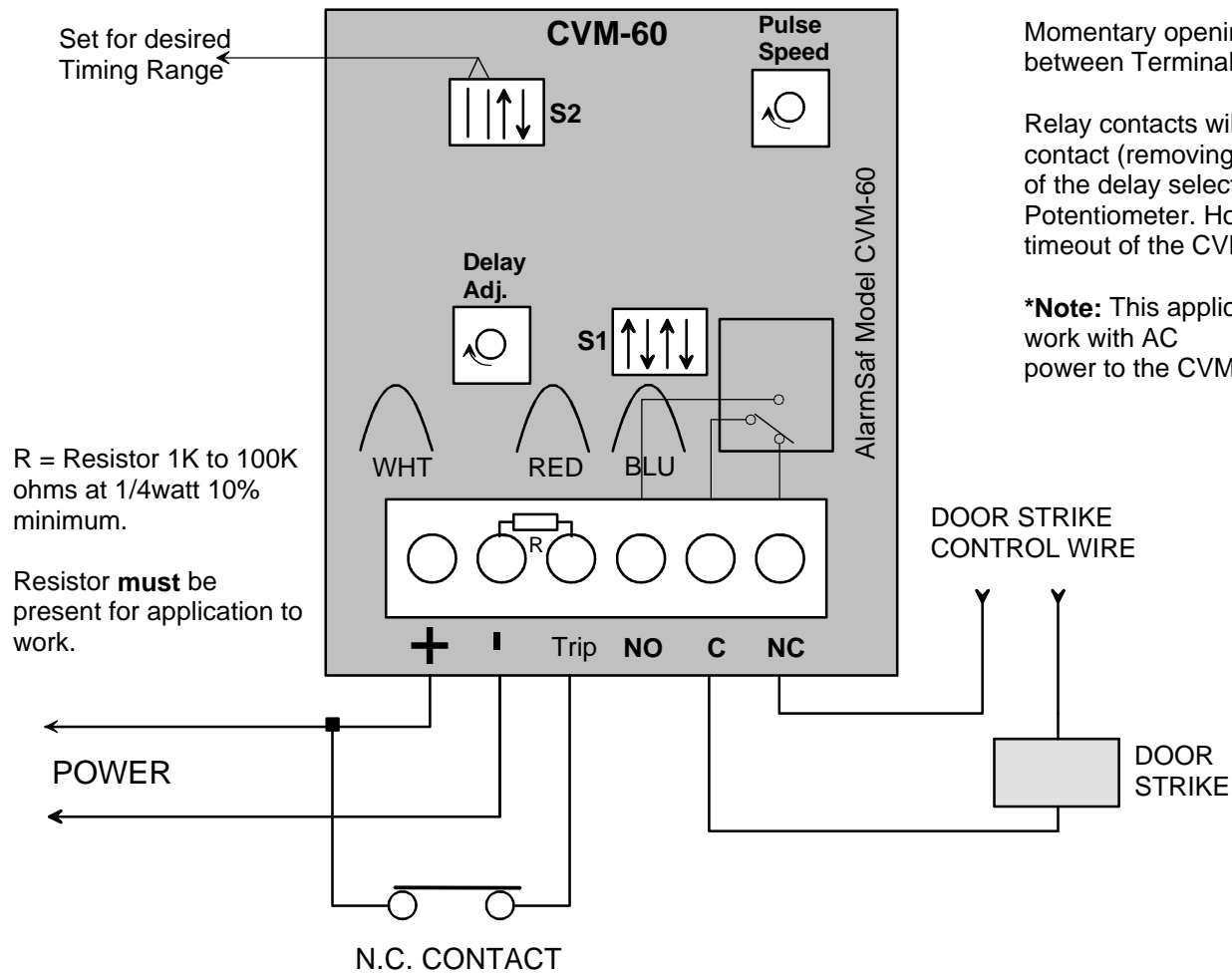




Lock Control One Shot



Momentary opening of normally closed contacts connected between Terminal 1 and 3 will initiate timer operation.

Relay contacts will transfer at the opening of the NC trip contact (removing power from strike) and remain until the end of the delay selected by S2 along with the Delay Adjustment Potentiometer. Holding the NC contacts open will not affect the timeout of the CVM-60.

***Note:** This application is for use with DC power only. It will not work with AC power to the CVM-60.